

Key stage 3 mathematics 2009

Mental mathematics Test B

First name _____

Last name _____

School _____

Total marks

Time: 5 seconds continued

7		0.09	<input type="text"/>
---	--	------	----------------------

8			<input type="text"/>
---	--	--	----------------------

Time: 10 seconds

9		25p £2.50	<input type="text"/>
---	--	-----------	----------------------

10	Quarter to six		<input type="text"/>
	minutes		

11		13 14 15	<input type="text"/>
----	--	----------	----------------------

12	Key: = 3 pupils			<input type="text"/>
	Apple			
	Banana			
			pupils	

13		°C	8°C	<input type="text"/>
----	--	----	-----	----------------------

14		%		<input type="text"/>
----	--	---	--	----------------------

15			<input type="text"/>

Practice question

		39	
--	--	----	--

Time: 5 seconds

1	millimetres	kilometres	<input type="text"/>
		metres	
	centimetres	inches	

2		$8y + 3y$	<input type="text"/>
---	--	-----------	----------------------

3		6000	<input type="text"/>
---	--	------	----------------------

4		7.8	<input type="text"/>
---	--	-----	----------------------

5			<input type="text"/>
---	--	--	----------------------

6		0.3	<input type="text"/>
---	--	-----	----------------------

Time: 10 seconds continued

16

No	Yes
----	-----

0% 100%

%

16

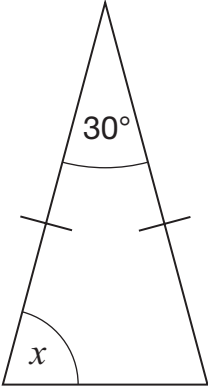
17

cm	4cm
----	-----

17

18

°



18

19

hours	18
-------	----

19

20

£		5%	£2
---	--	----	----


20

21

	$y = 3x - 7$
--	--------------

21

22



cm

22

23

	$3y(5 - y)$
--	-------------

23

Time: 15 seconds

24

_____ and _____

24

25

1cm : 2km	$7\frac{1}{2}$ cm	
km		

25

26

	65 83
--	-------

26

27

	$\frac{(3 + b)^2}{5}$
--	-----------------------

27

28

Number of children	Frequency
0	1
1	1
2	4
3	3
4	1

children

28

29

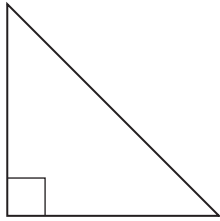
2 : 3 : 4

°, °, °

_____, _____, _____

29

30



$\sqrt{6}$ $\sqrt{9}$ $\sqrt{12}$

$\sqrt{18}$ $\sqrt{27}$

30