

Key stage 3 mathematics 2008

Mental mathematics Test B

First name _____

Last name _____

School _____

Total marks

Practice question

		99
--	--	----

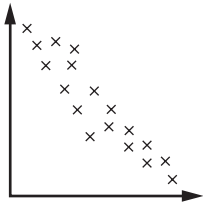
Time: 5 seconds

1		
---	--	--

2	4.7, 4.8, 4.9, _____, _____	
---	-----------------------------	--

3		$4pq$
---	--	-------

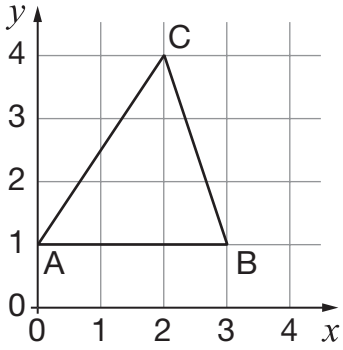
4		$\frac{7}{100}$
---	--	-----------------

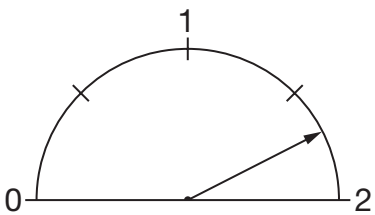
5		
	None Gradient High Positive Negative	<input type="text"/>

Time: 5 seconds continued

6	%	10 out of 25	
----------	---	--------------	--

Time: 10 seconds

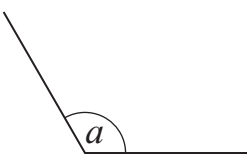
7		
	(,)	<input type="text"/>

8		
	<input type="text"/>	<input type="text"/>

9	£	£3.60	
----------	---	-------	--

10	mm	10cm	
-----------	----	------	--

11		2.9	
-----------	--	-----	--

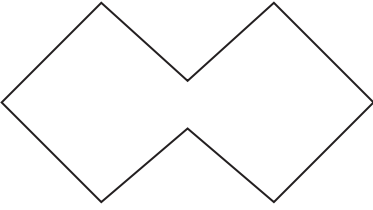
12		
	<input type="text"/>	<input type="text"/>

13		$\frac{1}{5}$ 2	
-----------	--	-----------------	--

14		148	
-----------	--	-----	--

Time: 10 seconds continued

15



15

16

	17 red 13 green
--	--------------------

16

17

	36
--	----

17

18

	$21 - 3x = 9$
--	---------------

18

19

2 cm	Scale factor 2
cm ²	

19

20

	$(x + 2)(x - 1)$
--	------------------

20

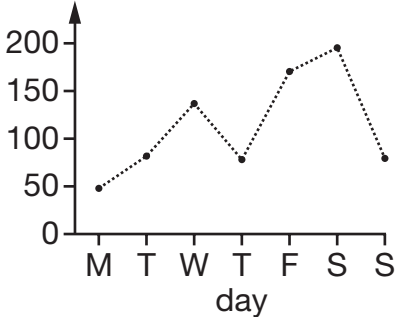
21

10cm ²	90cm ³
cm	

21

Time: 15 seconds

22



days

22

Time: 15 seconds continued

23

--

23

24

40p for 5 minutes
£

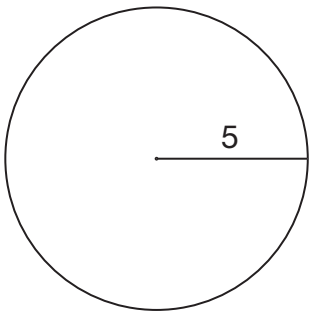
24

25

$\frac{3}{5}$	$\frac{4}{5}$	$\frac{5}{6}$	$\frac{6}{9}$	$\frac{7}{10}$
---------------	---------------	---------------	---------------	----------------

25

26



5

5π 10π 15π

25π 100π

26

27

£	1 : 4 : 5
---	-----------

27

28

$\frac{39.92 \times 41.06}{1.98}$

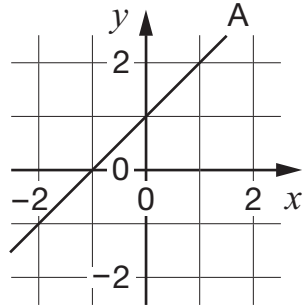
28

29

-20	80	40	_____
-----	----	----	-------

29

30



30